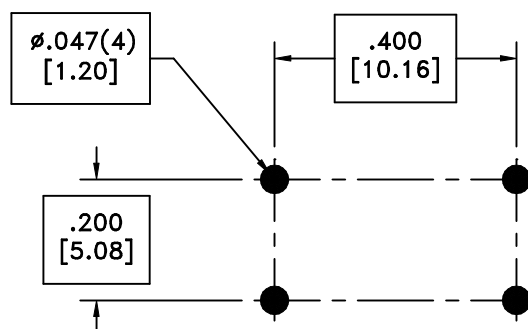
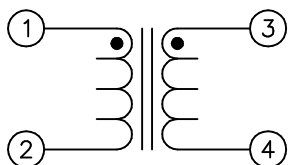
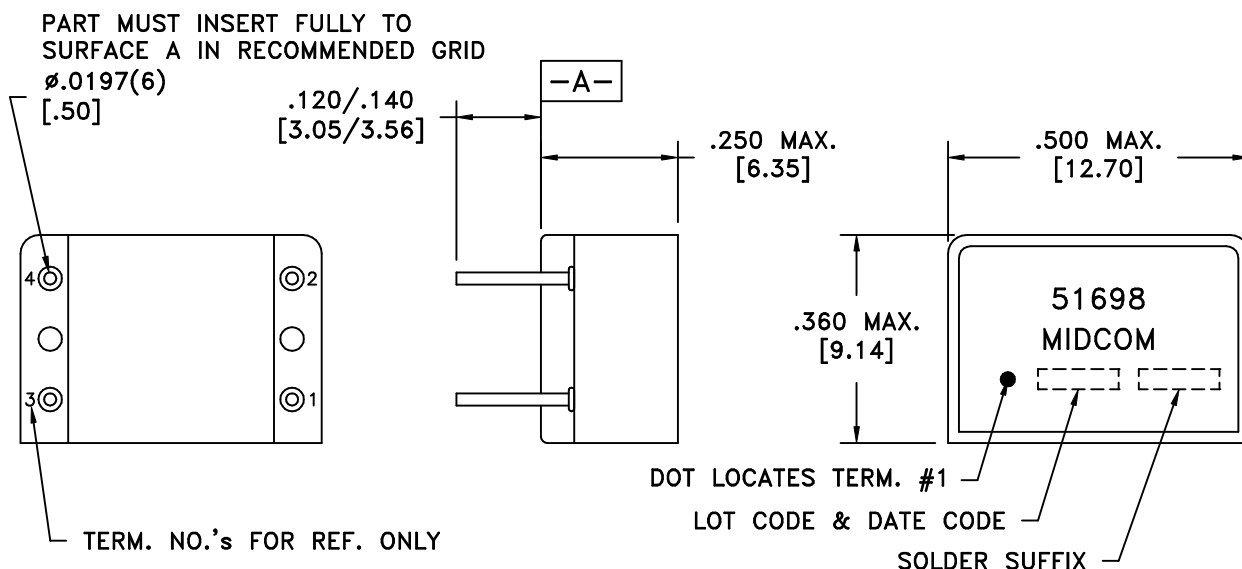


SOLDER SUFFIX	CUSTOMER TERMINAL	RoHS	LEAD(Pb)-FREE
LF3	Sn100%	Yes	Yes



RECOMMENDED
P.C. PATTERN, COMPONENT SIDE

ELECTRICAL SPECIFICATIONS @ 25°C unless otherwise noted:

- D.C. RESISTANCE (@20°C): 1-2, 0.68 ohms max.
3-4, 0.68 ohms max.
- DIELECTRIC RATING: 2000VAC, 1 minute tested by applying 2500VAC for 1 second between 1-3.
- INDUCTANCE: 2mH min., 10kHz, 100mVAC, 1-2, Ls.
- LEAKAGE INDUCTANCE: 0.5uH max., 100kHz, 100mVAC, 1-2(tie 3+4), Ls.
- TURNS RATIO: (1-2):(3-4) = 1:1, ±2%.
- RETURN LOSS: 20dB min., 100k - 10MHz.
- OPERATING TEMPERATURE RANGE: 0°C to +70°C.

DETAILS SUBJECT TO CHANGE

Midcom, Inc. Watertown, SD USA Toll Free: 800-643-2661 Fax: 605-886-4486 This drawing is dual dimensioned. Dimensions in brackets are in millimeters.	Unless otherwise specified: Tolerances: Fractions: $\pm 1/64$ Angles: $\pm 1^\circ$ Decimals: $\pm .005$ [.13]		
	DRAWING TITLE TRANSFORMER	DRAWING NO. 51698-LF3	REV. 6B 12/06
REVISIONS: SEE SHEET 1	SCALE ---	SHEET 2 OF 5	